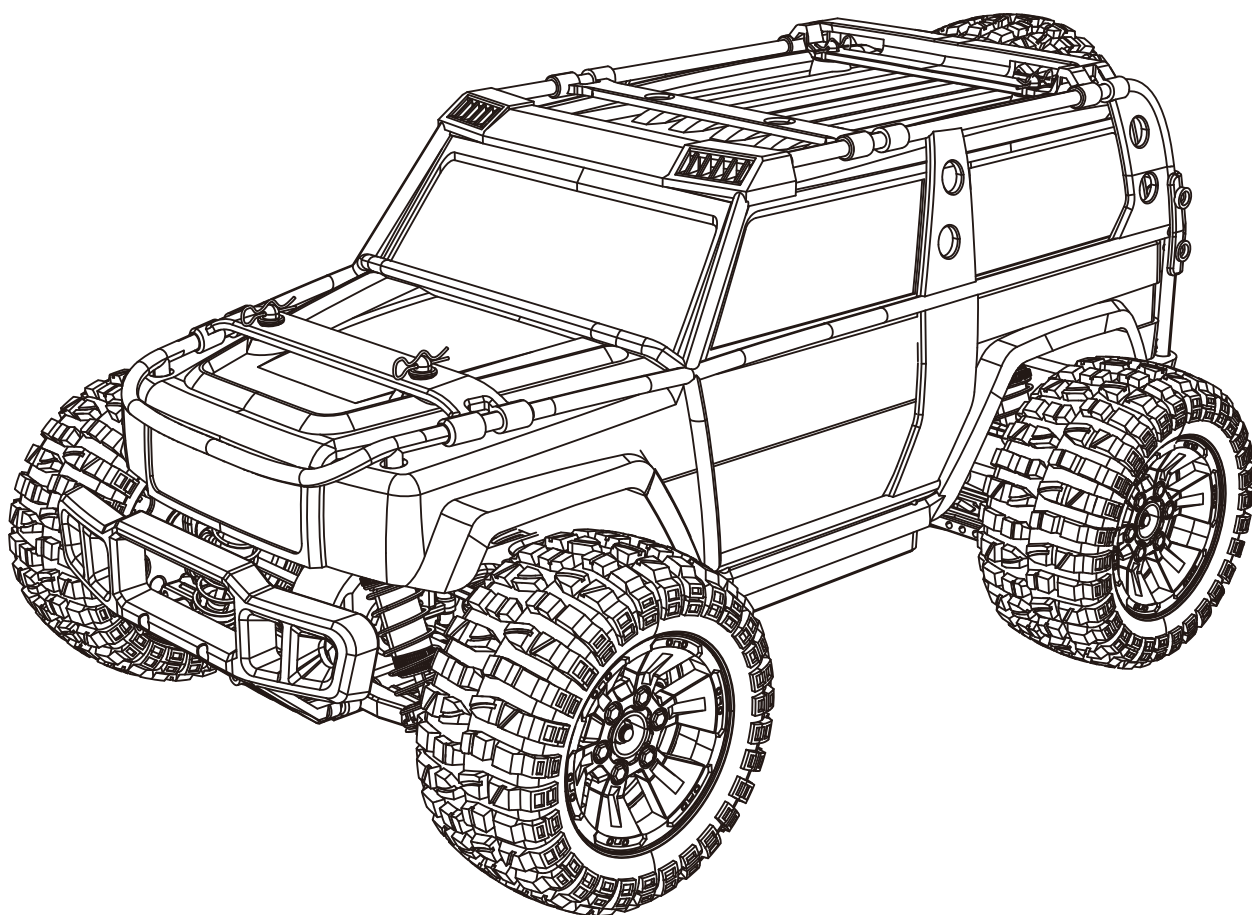


1/10 Scale High Speed 4WD

MANUAL

14+

AGES



WARNING:

PLEASE READ THE INSTRUCTION MANUAL CLEARLY
BEFORE OPERATING THE PRODUCT



BEFORE YOU PROCEED

Thank you for purchasing the remote-controlled car with radio of 1:10 rc car

1:10 rc car is a new 4WD High speed off-road car that brings adventure and fun. Featuring four-wheel independent suspension and Oil shock design, as well as 4WD traditional system, each detail is developed delicately in order to bear harsh environment when operating. This car even is enjoyed with splash-proof and can be driven in various wet environments!

This manual contains operational approach you need and course of maintaining the model. So your car can have a long service life. This model is the one with best performance in modern model market at present and it is designed by a professional model team obtaining the highest level of support from manufacturers!

This manual contains necessary setting and operational methods. Our engineers have improved performance and potential of this remote-controlled car when designing it, order to make you enjoy freely the pleasure with the highest control.

Even you are an experienced model-lover, you also need to read carefully and obey procedures of this manual before proceeding. Thank you for selecting 1:10 rc car.

We hope you can enjoy your new remote-controlled car!

BEFORE YOU PROCEED

Please read carefully and follow all introductions and any documents attached for preventing your model from damaging seriously.

Violation of these instructions shall be deemed as misuse or faulty operation.

Before operating your remote-controlled car, please read all contents of this manual and check carefully the remote car. Please stop your next operation if you decide that it is not what you want for some reasons.

Dealer shall not support return & exchange after the remote-controlled car is unpacked or used.

SAFETY PRECAUTIONS

PAY ATTENTION TO SAFETY PRECAUTIONS

Property damage and serious personal injury may be caused without safe and responsible attitude.

The prevention measures listed in this manual should be followed strictly so as to ensure safe operation.



You should obey all descriptions and notes listed in this manual so as to ensure safe operation of your remote-controlled car.

This remote-controlled car is not suitable for operating by children below 14 years old

IMPORTANT HINTS

- The remote car is not suitable for driving on public roads, congested areas and areas where it is easy to cause conflicts with pedestrians, traffic vehicles.
- In any circumstances, please don't operate your remote-controlled car in a crowd.
- Other wireless interference may affect the range of the remote to the car.
- Please keep the R/C car in a controlled environment to reduce the chance of collision and damage.
- Be careful not to touch the motor until it cools because motor and battery will get hot during use and the motor will get very hot. Make sure that there is enough air flow to cool motor down. Be careful not to be scalded.
- Don't operate your remote-controlled car at night or places blocking your view at any time.
- Do not touch or put your hands inside the car while moving.
- When you don't use it, please disconnect the battery.
- Not all batteries can be used in humid environment.
- Don't operate your remote-controlled car in stormy or other severe weather.
- Be careful. If you intend to operate your remote-controlled car by the seaside or nearby beaches, please don't allow your remote-controlled car into salty water (sea water), bitter salt water (in fresh water or sea water), or other polluted water, for the salty water is high conductive and corrosive.
- The service life of your remote-controlled car can be reduced even it is access to clean water. In humid conditions, you should pay attention to or change your driving mode so as to prolong the service life of the motor.

INSTRUCTIONS

BATTERY AND BATTERY CHARGING

Please be sure to read and follow or instruction or notes of offered battery pack or battery charger. You should be responsible for your charging and normal battery packs.

- It is not recommended to charge the battery when left unattended.
- When charging the battery, please take out of the car and charge the battery pack.
- when it is not used or used for transporting model car, please keep the battery disconnected.
- Before charging, be sure to allow the battery to cool down.

Please don't use damaged electric wires or batteries, connectors with wire exposure or damaged.



When charging or using the battery, children should be supervised by responsible adults.

RECYCLE YOUR LITHIUM BATTERIES

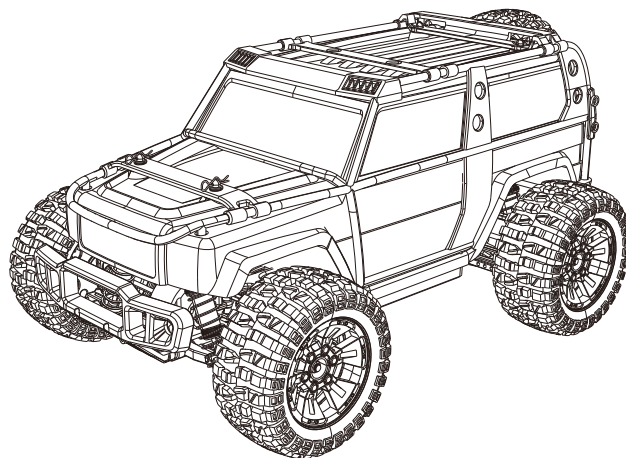
When your battery has reached the end of its service life, we strongly suggest that you can recycle batteries of your remote-controlled car and please don't throw batteries into dustbins.

CONFIGURATION

Your remote-controlled car has already been equipped with several projects to help your convenient and quick initiation and operation. However if you need to buy other commodities or parts, you can contact your dealer to operate and maintain your model.

This model includes following configurations

REMOTE-CONTROLLED CAR X1



REMOTE X1



USB CABLE X1



RECHARGEABLE BATTERY X1



SPECIFICATION X1

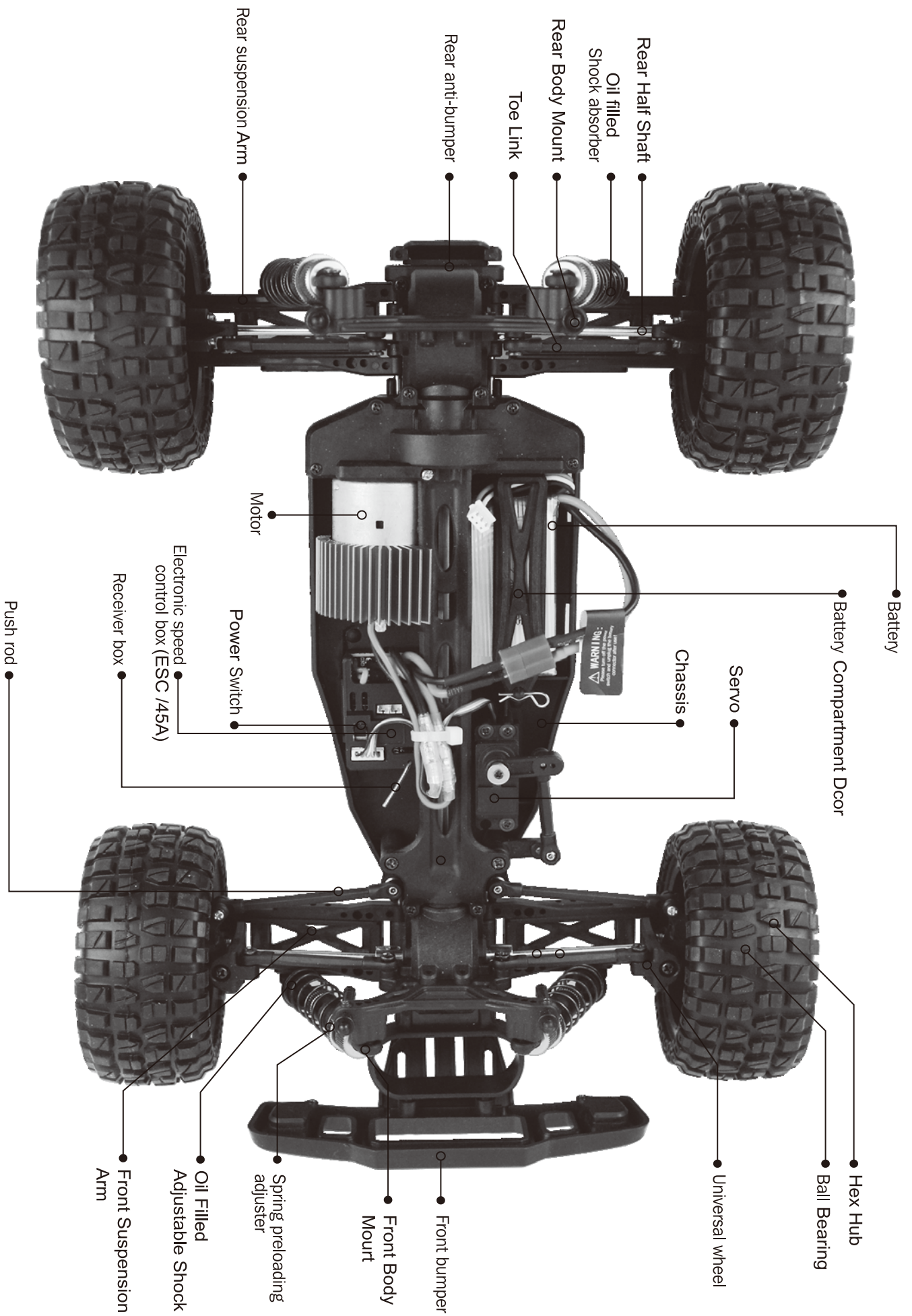
USER
MANUAL

PARAMETER

PRODUCT SPECIFICATION

Speed:	Up to 48km/h
Frequency:	2.4GHz
Remote Control Range:	80m
Play Time:	Up to 20 Minutes
Charging Time:	Up to 180 Minutes
Batteries:	
- Car:	7.4V Li-po, 1800mA (Included)
- Remote:	3 x AA (Not Included)
Dimensions:	430(L) x 270(W) x 190(H)mm

MODEL INTRODUCTION



INSTALLATION OF REMOTE BATTERY

Your remote requires three AA batteries (1.5V*3). The battery compartment is established at the bottom of the remote.

1. Hold and slide the battery compartment to take out of the battery compartment cover.
2. Install the battery according to correct directions of positive and negative anodes, indicating on the battery compartment.
3. Re-install and close the battery compartment.



4. Open the remote to check its state indicator light with red.
5. When the remote is connect to the model, the state indicator is normally on and the model can be operated.

If the remote state LED indicator blinks with red, showing weak battery of the remote or undercharging, or wrong installation.

Please change new or fully-charged battery.

LED indicator is incapable of showing whether the battery is charged fully.

If the LED state indicator of the remote is off.

Please check the direction of installing the positive and negative anodes and check whether the battery is charged fully.

Please refer to diagram of Identification number on page 9 for any other flash signals from LED.



Use normal battery

Your remote use "1.5V AA" battery and 1:10 RC car batteries are included in this model. You also can your chargeable battery and the (lithium) battery is contained in your remote. Please make sure that chargeable batteries are charged fully according to instructions of manufacturers. If you use chargeable batteries in your remote, you should know that their power is consumed quickly compared with other alkaline batteries.



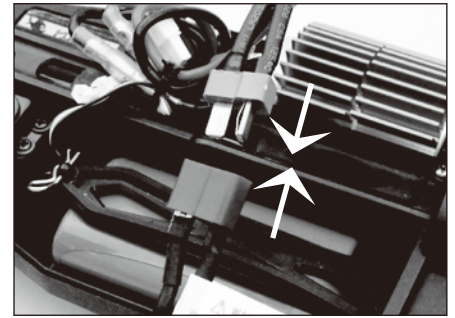
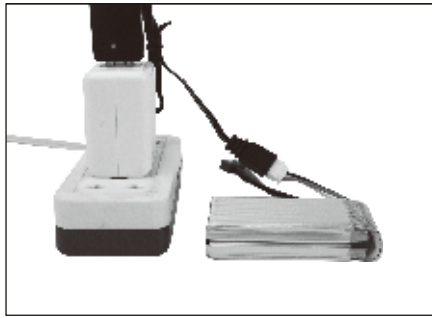
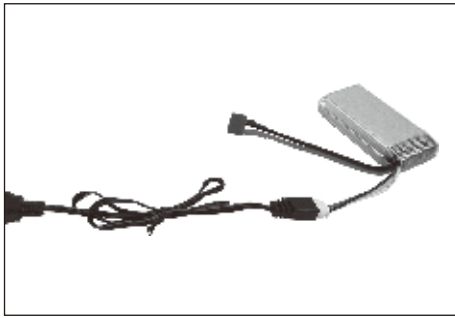
Note: When your batteries show low electricity shortage (red lights flash slowly), please stop immediately operating your remote or risk losing control.

CHARGING BATTERIES

Your remote-controlled car has already have "USB charging cable" and it will take 3 hours and a half to charge attached batteries. Please connect the SN of lithium battery into SN socket of charging cable, then USB port of the other end of USB cable is inserted into power adapter, and inserted into power to be charged. This LED light will flash with green, showing that the battery is charged. After 3 hours, (when the charging is completed, the charger will be green LED), then the battery is removed from the charger which it is removed from the socket.



Charging batteries is not allowed unattended.



INSTALL THE BATTERY PACK FOR YOUR MODEL

Your remote-controlled car has already included a lithium battery pack with 7.4V. Please install the battery as per following steps:

1. Remove the buckle from battery plank and take out of battery plank.
2. Put the battery into battery compartment and please make sure that the battery is located in front of the remote-controlled car.
3. Re-install battery plank and don't pinch the battery wire. Fix the car shell on the battery plank and disconnect it with joint of electronic speed controller at that moment



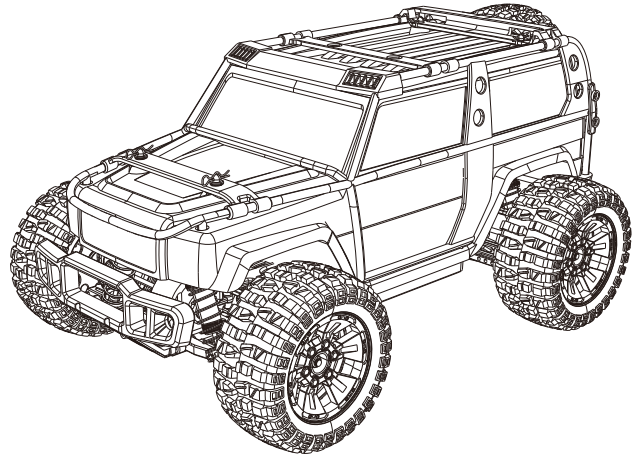
Note: Be sure to remove the battery tab after the remote-controlled car is operated.

WARNINGS: LiPo battery is only suitable for advanced users who have been aware of battery risks. It is not recommended that all children below 14 years old operate LiPo batteries with direction of inexperienced adults. LiPo batteries feature with the lowest safe discharging voltage and over discharge below its voltage is not allowed. Please strictly obey directions from battery manufacturers and charger manufacturers charge, and it is important for you and users of this product to use and store LiPo batteries. Be sure to your safety and understand how to use LiPo battery. Please notice that our company has no obligations to install batteries of the model, therefore, we will assume liability of any special, non-direct, attached or indirect loss caused by using LiPo battery.

NOTE OF REMOTE OPERATION

This 2.4G remote is equipped with directional antenna.

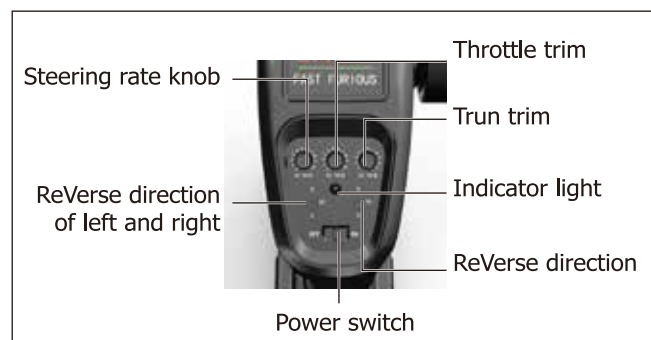
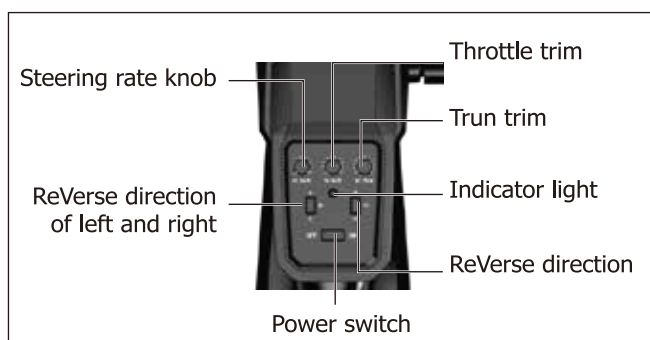
In order to obtain maximum remote scope, please hold the remote to direct vertically the model as soon as possible, and hold the transmitter to get away from the model, which will reduce radio-frequency region.



- The everlasting first step is to turn on the remote and turn off the remote at last. This operation can protect you from the remote receiving other signal sources for interference, or the remote-controlled car will be out of control. The best way for preventing it losing control is that the operation sequence which the first step is to turn on the remote and turn off it at last should be followed despite it has lost-control protection.
- Please use new or fully-charged batteries for remote, for the weak battery will limit signals between receiver and transmitter. Its weakness or signal losing will result in lost-control of your model and occurring collisions.
- In order to make remote and receiver in a frequency, receivers of model must be turned on within 20s after the remote is connected. If the remote indicator flashes quickly with red, it will be fail connection. If you miss it, close remote and restart.

2.4GHZ REMOTE

REMOTE CONTROLLER



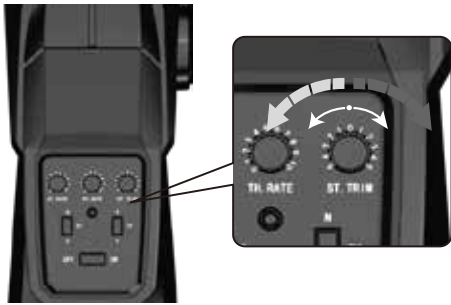
1. When the trigger is pulled back, the vehicle advances
2. When the vehicle is moving forward, push the trigger forward and the vehicle will brake;
3. When the trigger on the remote control returns to the midpoint, push the trigger forward again and the vehicle will retreat.

REMOTE LED CODES

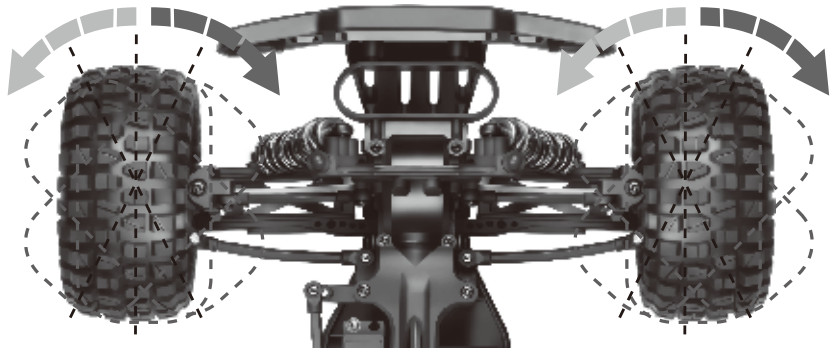
LED color/pattern	Name	Hints
Green light always on	Normal driving pattern	Please refer to information about how to use remote control on page 9.
Green light with slow flash (on at 0.5s/off at 0.5s)	Hint of low power	For more information m please refer to operation of putting new battery into remote on page 6.
Green light with quick flash (on at 0.125s/off at 0.125s)	Connect failed/error	If transmitter and receiver are bound unsuccessfully, please close the remote system and restart for recovering normal operation. Please check exceeding scope, low battery or damaged antenna if the connection is failed.

2.4GHZ REMOTE

FINE TUNING KNOB OF STEERING



<Meso-position>



STEERING RATIO KNOB

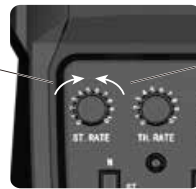
When the steering wheel rotates, adjust directional angle by using steering ratio knob

<If the steering angle increases>



Adjust the position you like

The steering angle will increase accordingly



The steering angle will decrease accordingly

<The steering angle will decrease>

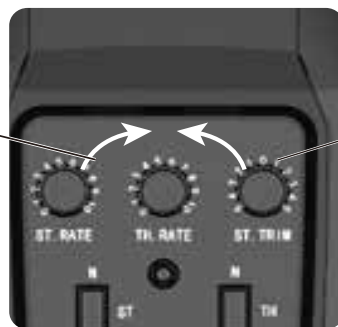


FINE TUNING KNOB OF ACCELERATOR

Rotate left/right using fine tuning knob of accelerator. Adjust the speed you like.

Adjust the speed you like.

Rotate right, the maximum speed will increase accordingly



Rotate left, the maximum speed will decrease accordingly

REVERSE DIRECTION BUTTON

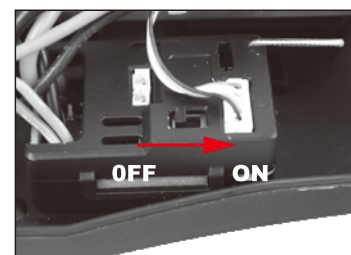
Considering habits of more users operating remote, forward and backward, left and right reverse buttons are launched to enhance users' experience.



OPERATING YOUR CAR

BEGINNING

1. Move ESC switch to "ON", as shown in figure 1.
2. Moving switch of mobile power to "ON" to turn on the remote. The red LED light will be on. If the red LED light is off, please check whether the battery's positive and negative anodes of remote is installed correctly, as shown in Figure 2.
3. When the operational driving has been completed, please turn off the remote power and be sure to remove the power. If the battery connection is not disconnected, it is likely to damage batteries.



NOTE! BE SURE TO CORRECT CONNECTION BETWEEN REMOTE AND CONNECTOR BEFORE OPERATING THE CAR.

OPERATIONAL CONTENTS

- Pull the trigger to allow the car to advance slowly, and advance quickly when pulling again.
- Push the trigger forward to stop the car, and driving/reserving in the opposite direction when pushing again.
- When colliding, loosen the trigger.
- When the battery is getting low, the car will roll until it stops. The car is equipped with LVC to protect the battery.



MAINTAINING YOUR MODEL

- When the battery needs to be charged again, make sure that the battery is in a cooled condition.
- Change the direction and rotate the wheel left or right.
- Always move the switch gently.

MAINTAINING YOUR MODEL

Your model needs to be repaired in time to ensure its optimal operational state. High attention should be paid to following steps. Check whether the car has obvious damage or wearing. For example:

1. Check whether it has broken, bent or damaged parts;
2. Check whether wheel hub and steering are installed in place;
3. Check whether it has worn wire lines or connecting rod with loose connection;
4. Check receiver and remote, and installation of electronic speed controller;
5. Check combination of wheels and tightness of nuts with spanner;
6. Check remote system, especially battery capacity;
7. Check whether car body or suspension has loose screws;
8. Check whether wearing of wheel gear, for example, the debris in wheel gear should be taken out in time;
9. Check tightness of all balls;

Distributed by:
Electus Distribution Pty Ltd
46 Eastern Creek Dr,
Eastern Creek NSW 2766 Australia
Ph 1300 738 555
Int'l +61 2 8832 3200
Fax 1300 738 500

www.electusdistribution.com.au